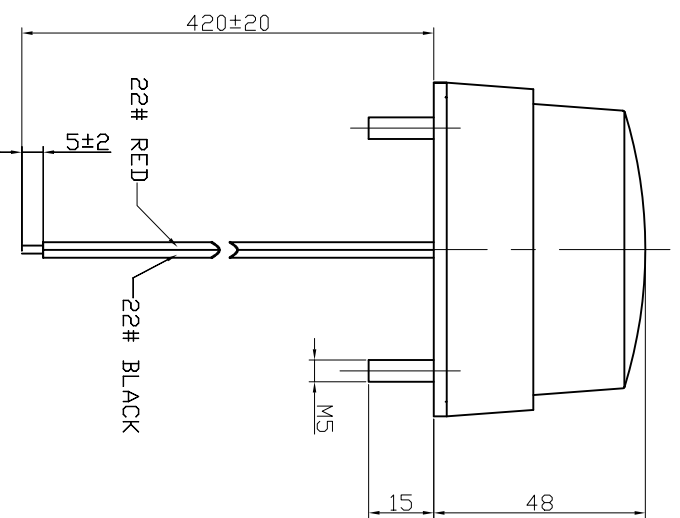
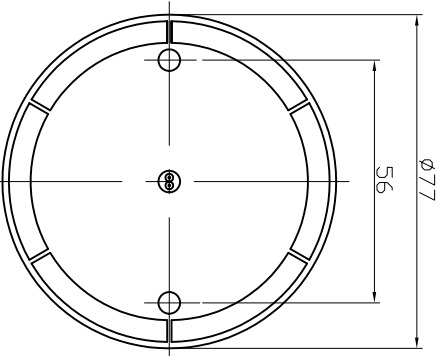


# Specification

(Test Condition, 25°C)



- 1. Materials/Color ..... Base: ABS/Black  
 Lens: Acrylic/Amber, Blue, Clear, Red
- 2. Rated Voltage ..... 12VDC
- 3. Operating Voltage ..... 8-15VDC
- 4. Max. Rated Current ..... 150mA/12VDC
- 5. Flash Rate ..... 115%φ15 Per Minute
- 6. Operating Life ..... 200 Hours Continuous Duty At 12VDC
- 7. Operating Temperature Range ..... -20 ~ +60°C
- 8. Wires Connection ..... Red +12VDC  
 Black GND
- 9. Weight ..... 90±5 g

No.	DESCRIPTION	APPROVED	DATE	<b>KEPO</b> NINGBO KEPP IMPROVING ELECTRONIC CO.,LTD <a href="http://www.chinaacoustic.com">http://www.chinaacoustic.com</a>		
TOLERANCES UNLESS NOTED OTHERWISE		APPROVALS	DATE			
XX.X	mm	DRAWN				
XXX.X	mm	CHECKED				
FIRST ANGLE PROJECTION		APPROVED	03.06.04	UNIT	DWG NO.	SHEET
				mm	OEM598	VER. 1.0
				SCALE	NOT TO SCALE	